

SPECIFICATION



F4 LED FLOOD LIGHT

(Modular Design for Easy Maintenance)

Features



DUALRAYS
Intelligent. Healthy. Efficient



F4 LED FLOOD LIGHT

Modular Design for Easy Maintenance

- High Quality Aluminum Housing for Excellent Heat Dissipation and Lifespan;
- UV-resistance PC Lens, Non-yellowing and Non-cracking for Long Time Outdoor Working;
- Symmetrical 15°/25°/40°/ 60°/90°/120°, Asymmetric 30°/70°/136°/78°/150°/80° Beam Angle Optional;
- 0/1-10V/DALI/PWM Dimming for Option;
- L70/B20 @ 65.000h;



- > High Quality Aluminum Housing for Excellent Heat Dissipation and Lifespan;
- > UV-resistance PC Lens, Non-yellowing and Non-cracking for Long Time Outdoor Working;
- > Innovative Modular Design for Easy Maintenance;
- > IP66 / IK10 Protection;
- > Symmetrical 15°/25°/40°/ 60°/90°/120°, Asymmetric 30°/70°/136°/78°/150°/80° Beam Angle Optional;
- > Corrosive Resistant Powder Coated Finish;
- > LEDs by LUMILEDS SMD3030 LEDs, Powered by Meanwell ELG Driver;
- > 130~140LPW High Efficiency ;
- > Various intelligent control: 1-10V, DALI, PWM, Zigbee for Option;
- > L80/B10 @ 65.000h;
- > Customized supported for special projects;

Options:

- > Driver: Meanwell XLG/ELG, PHILIPS, SOSEN driver;
- > Controls and Dimming: 1-10V, DALI, PWM, Zigbee;
- > Surge Protection Device: Meanwell SPD-20 20KV Surge Protector;
- > Lens : Symmetrical 15°/25°/40°/ 60°/90°/120°, Asymmetrical 30°/70°/136°/78°/150°/80° optics;

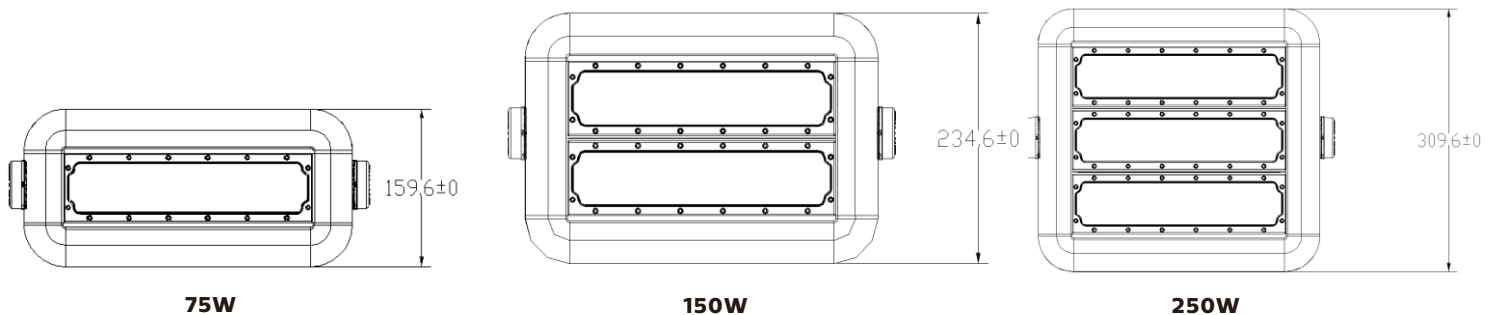
Application

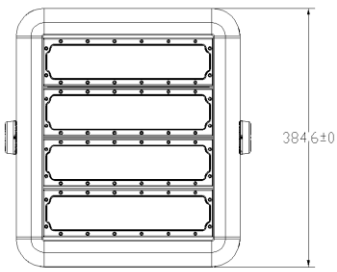
- > Logistics areas (Ports)
- > Stadiums and Racing tracks
- > Public squares
- > Apron lighting (Airports), Parking and Industrial areas
- > Recreational sports lighting applications (Football, Hockey, Basketball, Golf, Tennis, etc)

Technical Parameters

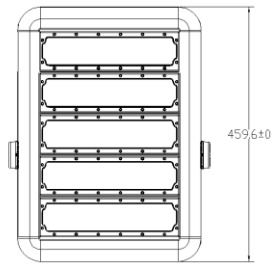
Model No.	DR-FL075-DGXP	DR-FL150-DGXP	DR-FL250-DGXP	DR-FL300-DGXP	DR-FL400-DGXP	DR-FL500-DGXP
System Watts/W	75W	150W	250W	300W	400W	500W
System Efficiency/LPW	130~140LPW					
Lumen Output/lm	9.750±5%	19.500±5%	32.500±5%	39.000±5%	52.000±5%	65.000±5%
Rated Input Voltage/V	AC100~277V, 50/60Hz					
LEDs Light Source	SMD3030					
SDCM	<5					
CCT/K	5000K for Standard (3000K/4000K/5700K/6500K Optional)					
CRI/Ra	>70Ra (>80Ra for Option)					
Power Factor	>0.95					
THD	<10%					
Beam Angle(Optional)	15°/25°/40°/ 60°/90°/120°/30*70°/136*78°/150*80° Optional					
UGR	<25					
Surge Protection	4~6KV SPD built in Driver, Exterior SPD 20KV Meanwell Optional					
LED Driver	Meanwell XLG / ELG, PHILIPS Optional					
IP Rating	IP66					
Dimming(Optional)	1-10V, DALI, PWM, Zigbee for Option					
Safety Protection	Open Circuit / Short Circuit / Over-voltage / Over Temperature Protection					
Start Time	0.5s					
Protection Class	Class I					
Finishing Color(Optional)	Black RAL9017(Standard) / White RAL9016 Matt Optional					
Material	Aluminum+PC					
Lifespan/hrs	65.000 Hrs (Ta=30°C@L80)					
Operation Temp/°C	-40°C to + 50°C(-40°F to 122°F)					
Storage Temp/°C	-40°C to + 65°C(-40°F to 149°F)					
Switching Cycles	100,000 Times					
Certificate	CE(EMC+LVD),RoHS,ENEC ,D-Mark,SAA,RCM Available					

Dimensions

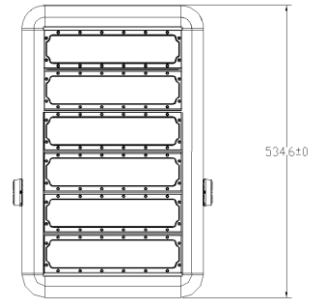




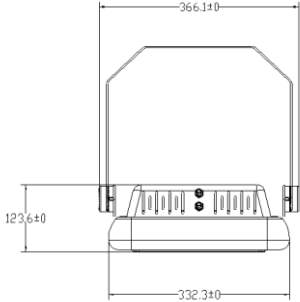
300W



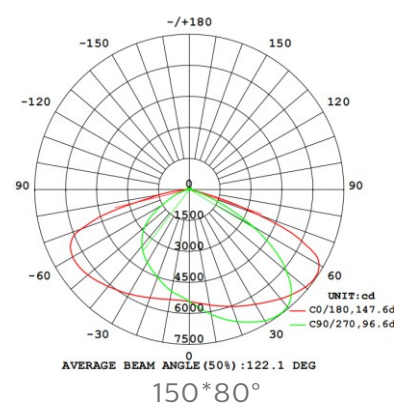
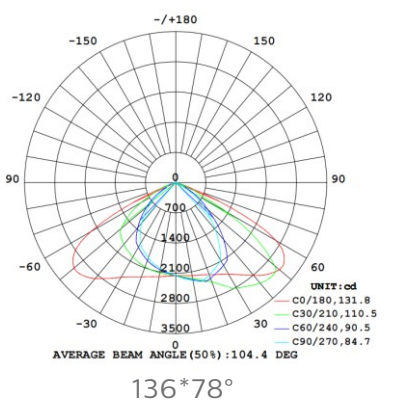
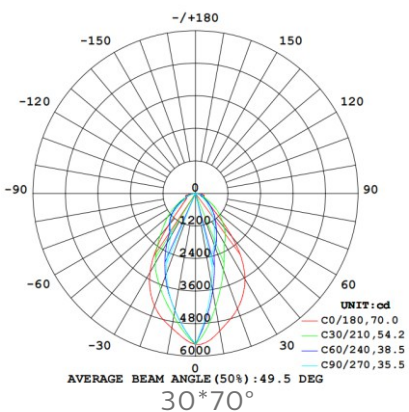
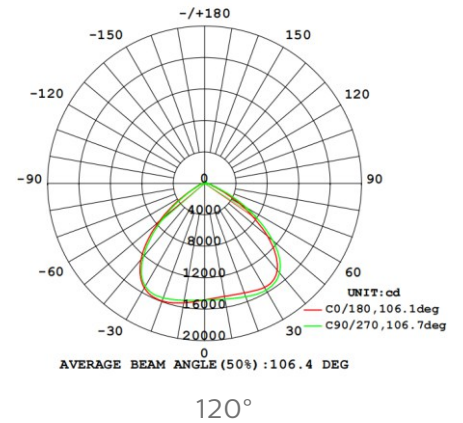
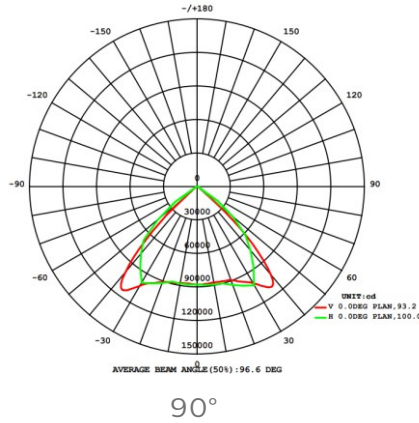
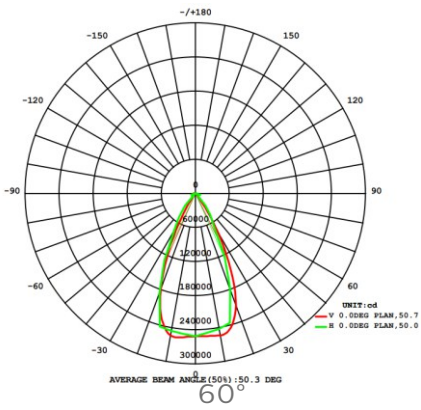
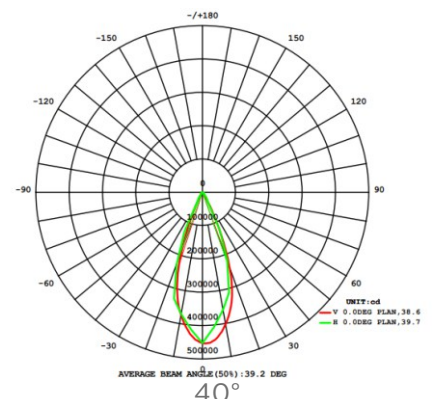
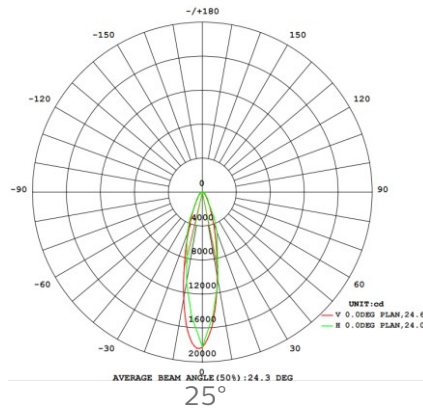
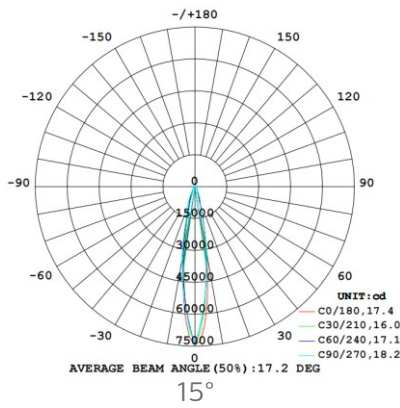
400W



500W

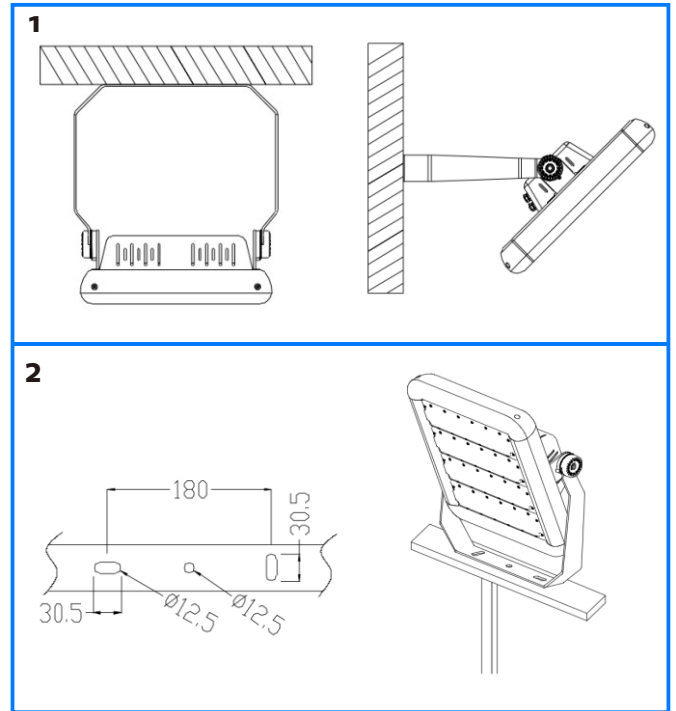


Photometry Diagram



Installation

1. Figure 1 shows the bolt pattern of the mount.
2. Secure the fixture using the 2 mounting holes.
3. Connect the dimming wires.
4. Adjust the lamp angle to what you need.



INSTALLATION GUIDE

IMPORTANT SAFETY INFORMATION:

Please read all the instructions below before installation

- > Make sure that the supply voltage corresponds to the rated product voltage;
- > The product must be installed by a qualified electrician in accordance with the National Electrical Code and corresponding local codes.
- > If the product is damaged, do not use it!



Turn Off Power Supply

Wiring Diagram



RISK OF PERSONAL INJURY – READ and follow all WARNINGS and installation instructions.

Keep or give to the owner for future reference.

- Risk of cuts:** Wear gloves to prevent cuts or abrasions when removing from carton, handling, installing, and maintaining this product.
- Risk of electric shock:** This product must be installed in accordance with the applicable installation code by a person familiar with the construction and operation of the product and the hazards involved.
- Risk of Fire:** Minimum 194°F supply conductors. Consult a qualified electrician to ensure correct branch circuit conductor.

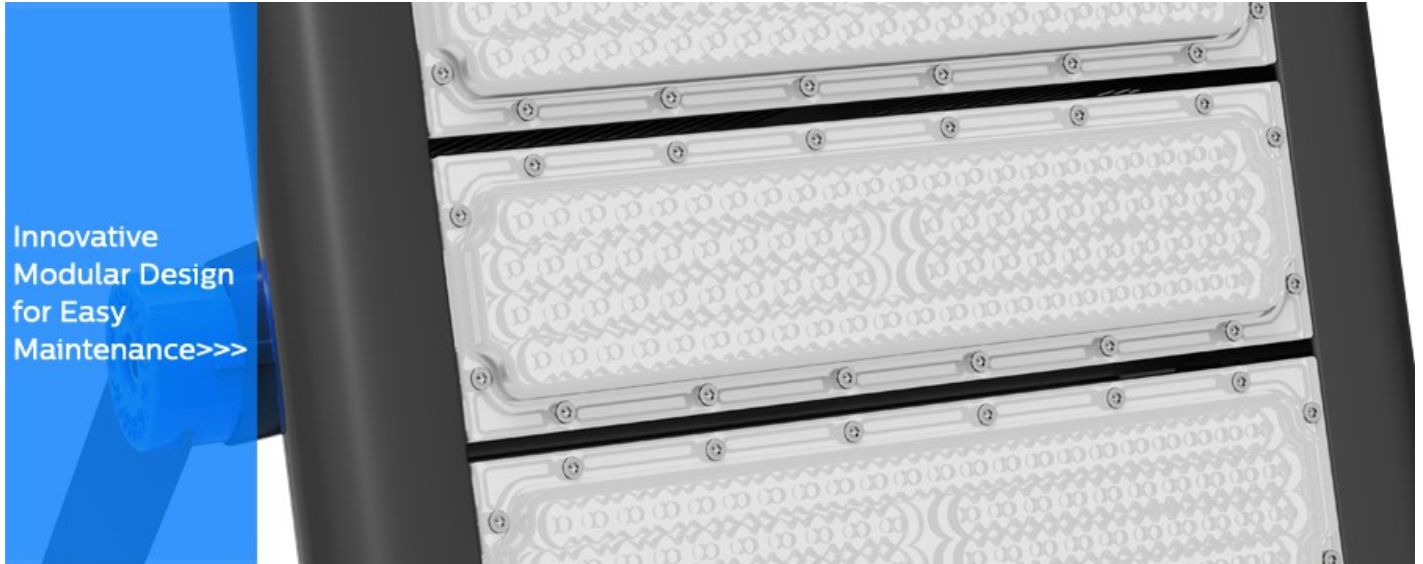
DUALWAYS® assumes no responsibility for claims arising out of improper or careless Installation or handling of this product.

Packaging Information

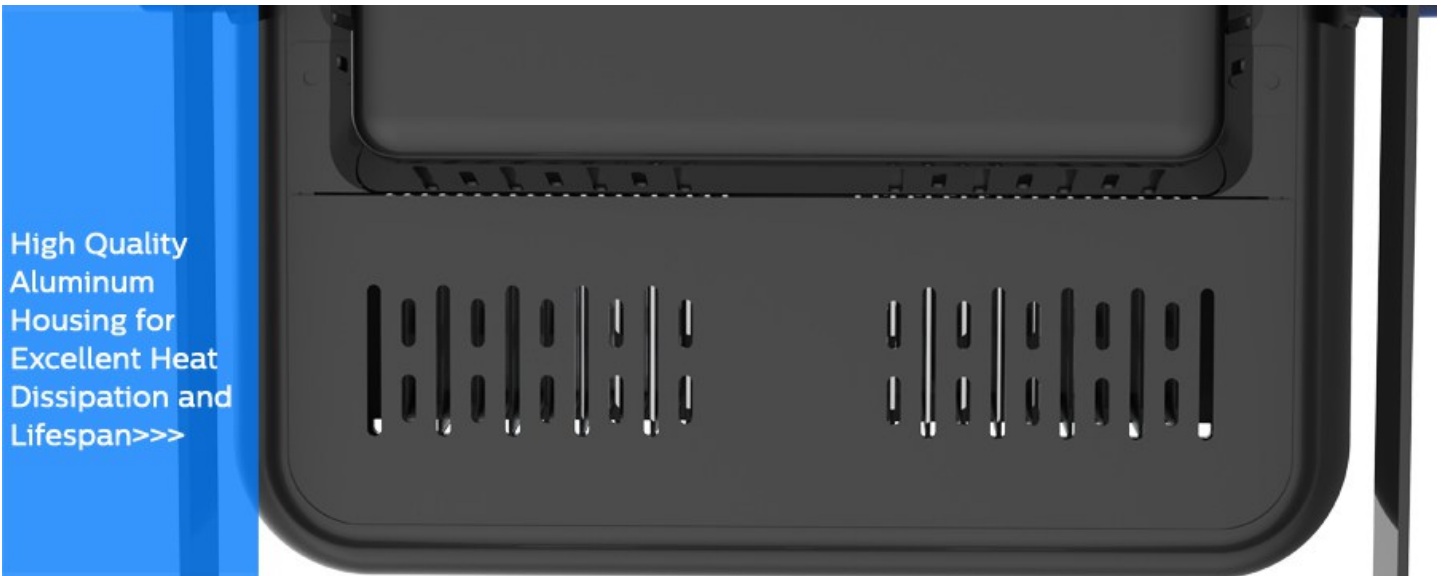
Model No.	Net Weight/Kg	Outer Carton Size/mm	Gross Weight/Kg	QTY"/CTN
DR-FL075-DGXP	2.3	190*360*150	2.8	1PCS
DR-FL150-DGXP	4.2	270*360*150	5.2	1PCS
DR-FL200-DGXP	5.8	340*360*150	6.7	1PCS
DR-FL300-DGXP	8.1	420*360*150	9.2	1PCS
DR-FL400-DGXP	11.5	490*360*150	12.6	1PCS
DR-FL500-DGXP	12.4	580*360*150	13.7	1PCS

Details Demo

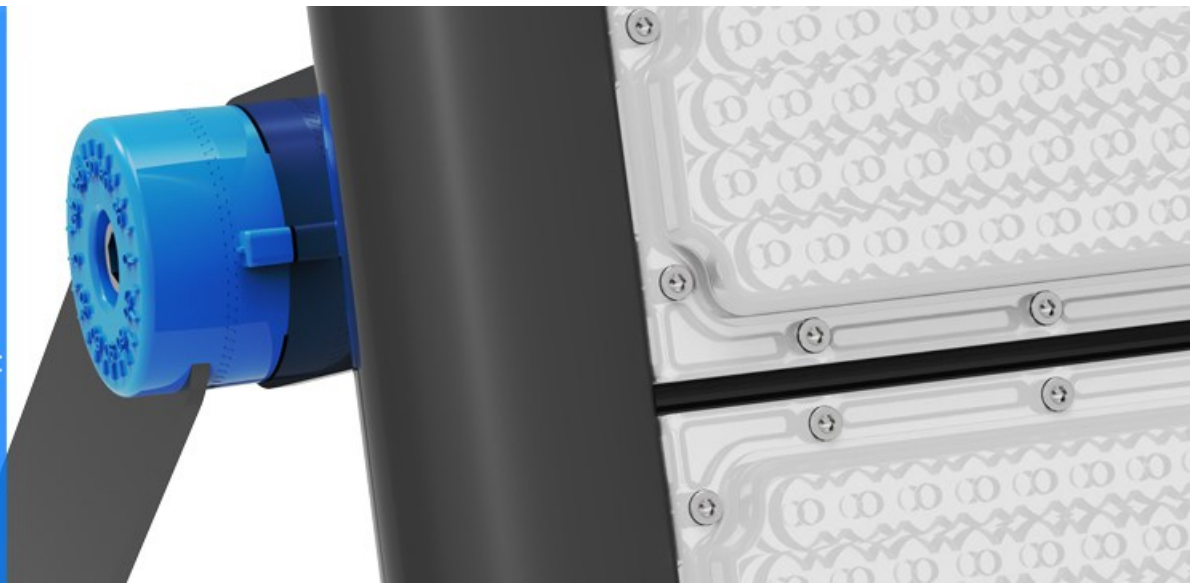
Innovative
Modular Design
for Easy
Maintenance>>>



High Quality
Aluminum
Housing for
Excellent Heat
Dissipation and
Lifespan>>>



280° Adjustable
Tailored U
Bracket for
Diferent Hight
Lighting>>>



Application Reference

